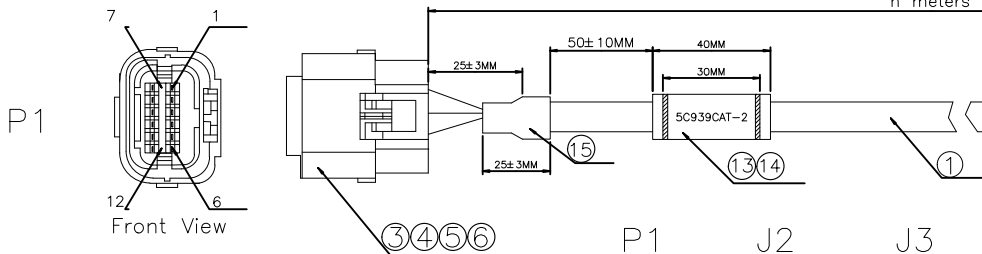
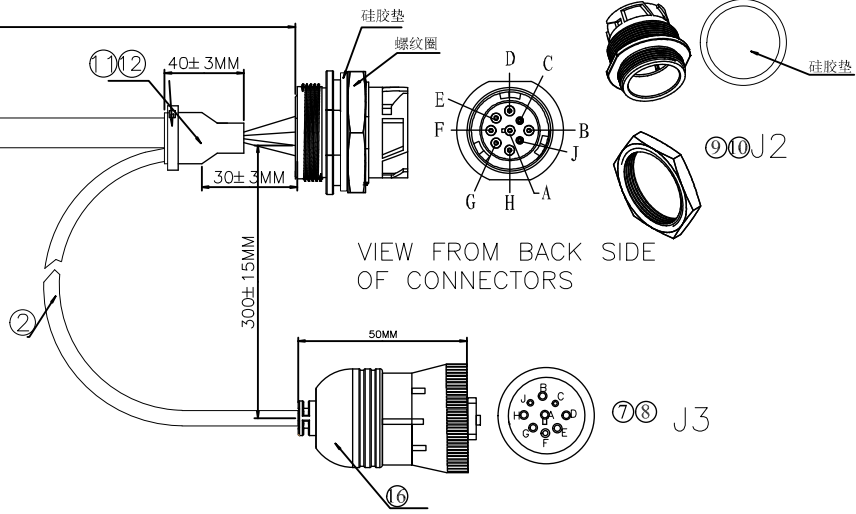


REVISION			
NO.	DESCRIPTION	DATE	REV.



P1	J2	J3
11 black	B black	B
10 red	A red	A
3 green	G green	G
4 blue	F blue	F
	E black	E
	D ORANGE	D
	C YELLOW	C
	J white	J
	H BROWN	H

version	P1 to J2 length(n)
-2	2 meters
-5	5 meters



The no.	P1	J3
The mould number		zxc-181 zxc-182

- ELECTRONIC TEST:
1. Voltage:DC 300V 5M ohm/10 ms.
 2. Contact resistance: 3.0 ohm MAX.
 3. 100% Open,Short,Mis-Wire Testing.

16	PVC:hardness,45P,color,BLACK P/N:45P-BK-PVC	kg	
15	casing:Black heat shrinkable casingø8.0MM,L=25MM p/n:8-25-bk	1PCS	
14	label:White label black lettering Label specifications for w=10mm,L=30MM	1PCS	
13	casing:Heat shrinkable transparent casingø7.0MM,L=40MM P/N,7-40-WH	1PCS	
12	tie:Nylon cable tie W=4MM,L=120MM BLACK	1PCS	
11	casing:Heat shrinkable casingø16,L=40MM	1PCS	
10	TERMINAL:J1939 9P Even around the terminals MALE -TERMINAL	9PCS	
9	CONN:J1939 9P FEMALE BLACK With the thread (DEUTSCH:HD10-9-96P-B025)	1PCS	
8	TERMINAL:J1939 9P Even around the terminals FEMALE-TERMINAL	9PCS	
7	CONN:J1939 9P MALE BLACK LOCAL FACTORY OF DEUTSCH HD16-9-96S	1PCS	
6	A set of cap:12-pin Connector Front Cap P/N:MX23A12XF1	1PCS	
5	CONN:JAE dummy Plug for12-pin connector m120-55780	1PCS	
4	TERMINAL:JAE FEMALE-TERMINAL P/N:M23S05K351	4PCS	
3	HOUSING:JAE 12P MALE HOUSING BLACK P/N:MX23A12SF1	1PCS	
2	CABLE:UL2464 20AWG*1P+7C+AL, OD=8.0MM BLACK JACKET PVC	MM	
1	CABLE:UL2464 20AWG*1P+2C+AL, OD=6.0MM BLACK JACKET PVC	MM	
ITEM	DESCRIPTION	Q'TY	REMARK

CABILITY, INC.			
	UNIT: mm	TITLE: DELPHI 12P MALE TO DELPHI Y CABLE	
DRAWN BY ZHOU FLY	DATE 2016-6-30	CUSTOMER	CUSTOMER P/N 5C939CAT-2
CHECKED BY	DATE	PART NO. A013-R083	SAMPLE NO.
APPROVED BY	DATE	FILE NO:	REV. A
SALE BY	DATE		